

Concealed thermostat -

35 425 970 90



- lead-free, dezincification resistant
- 2x back flow preventer
- 2x female thread 1/2" connections
- 3x outlet G 1/2"
- dust cover
- anti-water packing
- sound and thermal insulation
- suitable for xGRID (when using installation track + 12 mm recess depth)
- gauge 70 mm

Recommended miscellaneous



Drybox Concealed thermostat - 39 426 970 90
 • Overflow is part of the scope of delivery.

Recommended miscellaneous



xGRID Attachment set for integrating in the dry wall construction - 12 340 970 90

Required miscellaneous

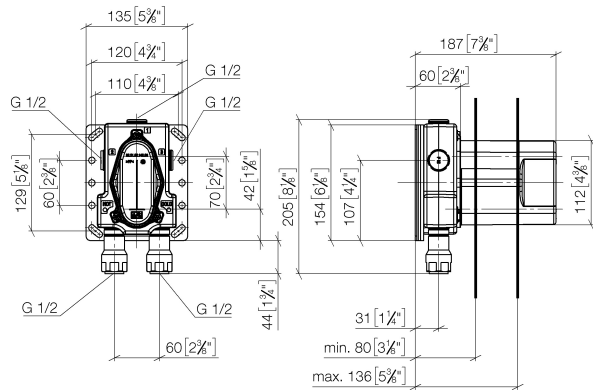


xGRID Installation track 555 mm - 12 360 970 90

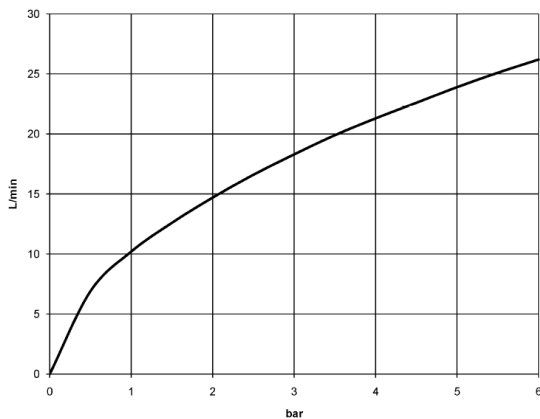
Concealed thermostat -

35 425 970 90

mm [inches]



Flow rate chart



Certificates

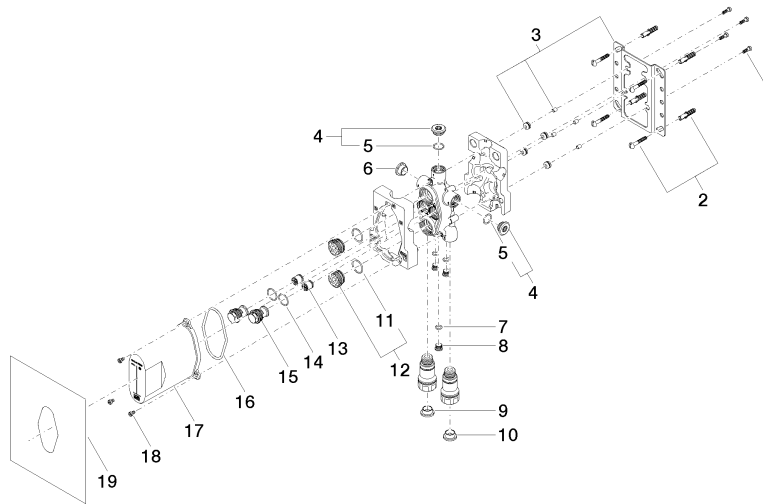
Belgaqua_21-031- 27_6. ETA_20551.

DVGW_DW- 6512DN0119.

WRAS_1906098.

Concealed thermostat -

35 425 970 90



Spare parts list

No.	Item Number	Name	Quantity used	Delivery time
1	09 30 30 171 90	screw	4	2
2	04 30 31 024 01 90	fixing set	2	2
3	04 17 20 127 00 90	holder	1	2
4	04 31 20 006 00 90	plug	2	2
5	09 14 10 053 90	seal	1	2
6	09 31 20 092 90	plug	1	2
7	09 14 10 139 90	seal	3	2
8	09 31 20 039 10 90	plug	3	60
9	09 31 20 093 90	plug	1	2
10	09 31 20 094 90	plug	1	2
11	09 14 10 112 90	seal	2	2
12	04 30 11 149 00 90	plug	2	2
13	90 23 01 040 00 90	back-flow preventer	2	2
14	90 14 10 056 00 90	seal	2	2
15	09 24 03 219 90	nipple	2	2
16	09 14 10 512 90	seal	1	2
17	04 21 02 146 00 90	cap	1	2
18	09 30 30 112 90	screw	3	2
19	04 14 03 080 00 90	gasket kit	1	2